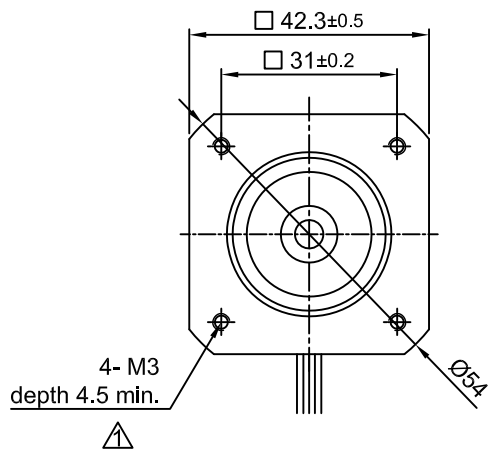
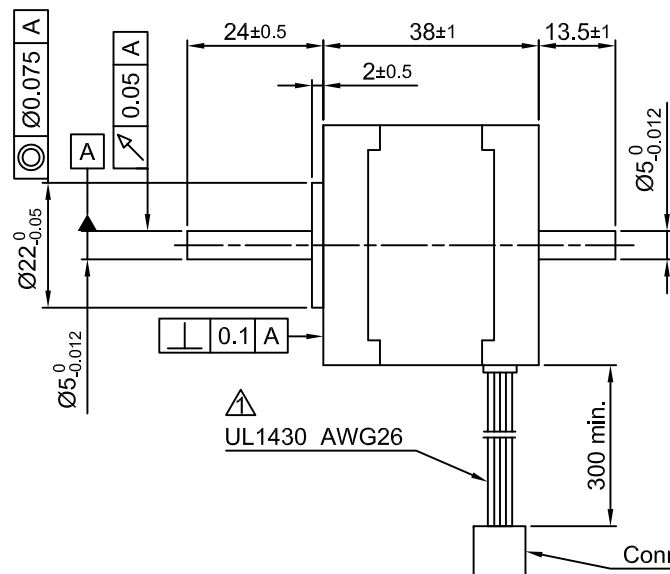


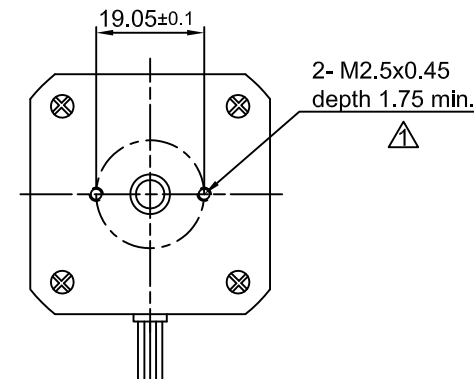
Front view and mounting



Side view



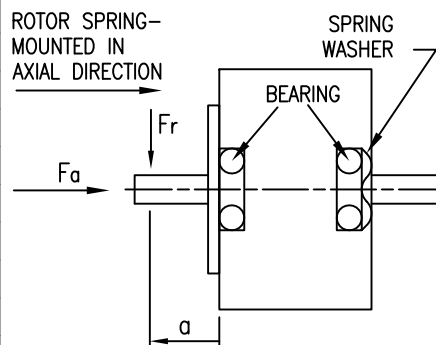
Rear view



Connector: JST XHP-6

SPECIFICATION	CONNECTION	
	UNIPOLAR OR BIPOLAR-1 WINDING	BIPOLAR SERIAL
VOLTAGE (VDC)	6.65	9.4
AMPS/PHASE	0.7	0.49
RESISTANCE/PHASE (Ohms)@25°C	9.5±15%	19±15%
INDUCTANCE/PHASE (mH) @1KHz	8.0±20%	32±20%
HOLDING TORQUE (Nm) [lb-in]	0.28 [2.478]	0.396 [3.505]
DETENT TORQUE (Nm) [lb-in]	0.98x10 <sup>-2</sup> [8.673x10 <sup>-2</sup> ]	
STEP ANGLE (°)	1.8	
STEP ACCURACY (NON-ACCUM)	±5%	
ROTOR INERTIA (Kg-m <sup>2</sup> ) [lb-in <sup>2</sup> ]	5.7x10 <sup>-6</sup> [1.95x10 <sup>-2</sup> ]	
WEIGHT (Kg) [lb]	0.24 [0.53]	

PERMISSIBLE RADIAL+AXIAL FORCE



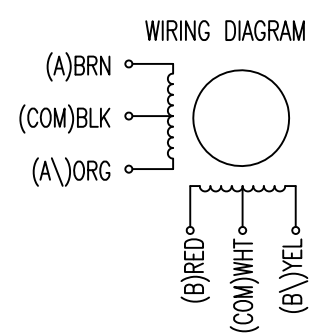
	AXIAL-FORCE Fa (N)	
	Fa=7	
AMBIENT TEMPERATURE -10°~ 50°C [14°F ~ 122°F]	5	10
INSULATION RESISTANCE 100 MOhm (UNDER NORMAL TEMPERATURE AND HUMIDITY)	58	36
INSULATION CLASS B 130° [266°F]	15	20
DIELECTRIC STRENGTH 500VAC FOR 1 MIN. (BETWEEN THE MOTOR COILS AND THE MOTOR CASE)	26	20
AMBIENT HUMIDITY MAX. 85% (NO CONDENSATION)	AXIAL	RADIAL
	SHAFT PLAY (mm)	0.08
	AT LOAD MAX: (N)	0.02
		4.5
		4.5

TYPE OF CONNECTION (EXTERN)	MOTOR		
	UNIPOLAR	BIPOLAR	CONNECTION PIN NO.
A ---	A ---	A ---	1
COM ---	COM ---	COM ---	5
A\ ---	A\ ---	A\ ---	3
B ---	B ---	B ---	2
COM ---	COM ---	COM ---	6
B\ ---	B\ ---	B\ ---	4

for >speed ←  
for <speed ←

FULL STEP 2 PHASE-Ex., WHEN FACING MOUNTING END (X)

STEP	A	B	A\	B\	CCW	CW
1	+	+	-	-	↓	↑
2	-	+	+	-	↓	↑
3	-	-	+	+	↓	↑
4	+	-	-	+	↓	↑



				<b>Nanotec</b> PLUG & DRIVE			APVD	<i>S.Ha.</i>	26.02.07	<b>STEPPING MOTOR</b>	
				CHKD							
1	rework draw/change depth M2.5/M3	09.02.16	A.S.	Surface specification DIN ISO 1302	General tolerances DIN ISO 2768- cH	Work piece edge DIN ISO 13715	DRN	<i>J.W.</i>	29.11.06	DWG.NO	ST4118M0706-B
REV	DESCRIPTION	DATE	DRN				SIGNATURE	DATE			